

DH-25 Series, Rated up to 100 Amps, 28 Vdc

Product Facts

- SPDT, 1 NO, 1 NC, Double Break
- Gasket Sealed or Hermetically Sealed
- Meets many requirements of MIL-PRF-6106



Performance Data

Electrical Characteristics

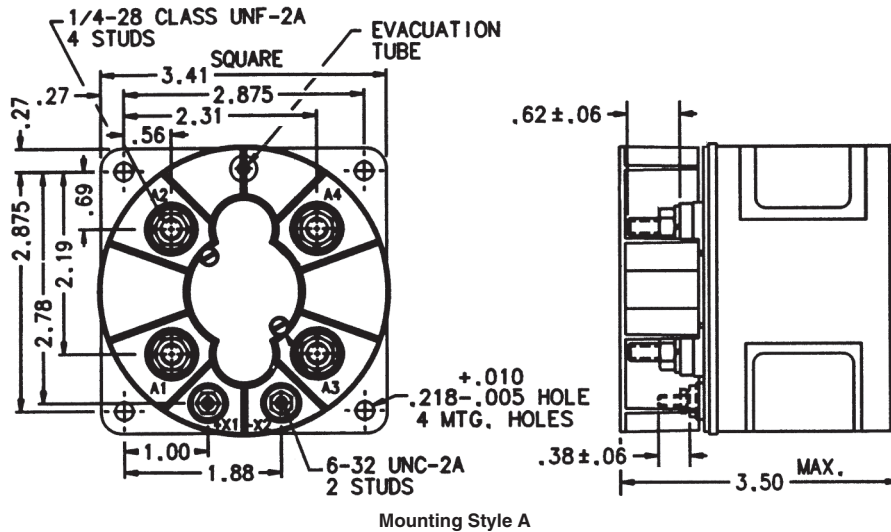
- Contact Arrangement** — SPDT, 1 NO, 1 NC, Double Break
- Rated Operating Voltage** — 28 Vdc
- Resistive Rating** — 100 Amps
- Inductive Rating** — 100 Amps
- Motor Rating** — 60 Amps
- Interrupt Rating** — 600 Amps

General Characteristics

- Temperature Range** — -55°C to +85°C
- Operating Cycles (Life) at Rated Resistive Load, Min.** — 50,000 cycles
- Operating Cycles (Life) Mechanical, Min.** — 100,000 cycles
- Dielectric Strength** — All Circuits to Ground — 1,250 Vrms
Circuit to Circuit — 1,250 Vrms
Coil to Ground and Aux. Contacts — 1,000 Vrms
- Altitude Max.** — 80,000 ft.
- Weight** — 1.81 lbs

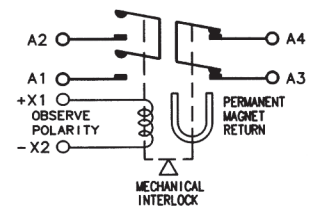
Coil Characteristics

- Duty Cycle** — Continuous
- Operating Voltage, Max.** — 32 Vdc
- Operating Voltage @ 21°C, Min.** — 18 Vdc
- Dropout Voltage @ 25°C, Max.** — 1.0 to 7 Vdc
- Coil Resistance ±20% @ 25°C** — 180 Ohms



Circuit Configurations

(Consult factory for other available circuit configurations)



Circuit Configuration 1

HARTMAN Part Number	Construction Type	Mounting Style	Coil Type	Circuit Config.	TE Part Number
DH-25EA	Hermetically Sealed	A	Continuous	1	1616089-4

For factory-direct application assistance, phone 419-521-9500 or fax 419-526-2749.